

M-40, M-80, M-100, M-150 & M-200.

Fantastic prints at low cost.

Well-trying and -tested hot-stamping machine that meet the need to print dates and batch numbers. The machine is available in different sizes depending on the preferred printing area and printing pressure.

These models of hot stamping coders from Elmoprint are designed for in-line mounting in most packaging machines, where they can be mounted horizontally, vertically or upside down. Furthermore, the entire machine can be turned 360° around its axis with a single handle, and crosswise positioned at any particular position over the packaging material.

The coding can be done with a wide range of hot foils in black, white or other colours.

A heat-imprinting principle is employed whereby a heated metal stamp presses a colour-coated film against the packaging material and deposits the pigment from the film.

The pigment is never fluid during the imprinting. It provides a sharp and easy readable impression, which is not water or grease soluble. Hot stamping is suitable for printing dates, lot numbers, graphics, barcodes and text.

Hot stamping coders and installation equipment are made of anodized aluminium and stainless steel.

The machines are controlled by a start signal from the host machine (or photocell / inductive sensor) and can give alarm when running out of hot foil.

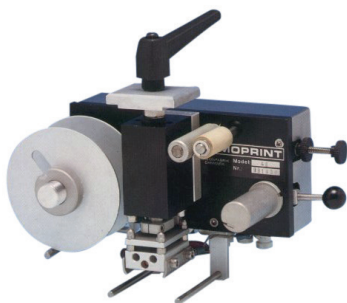
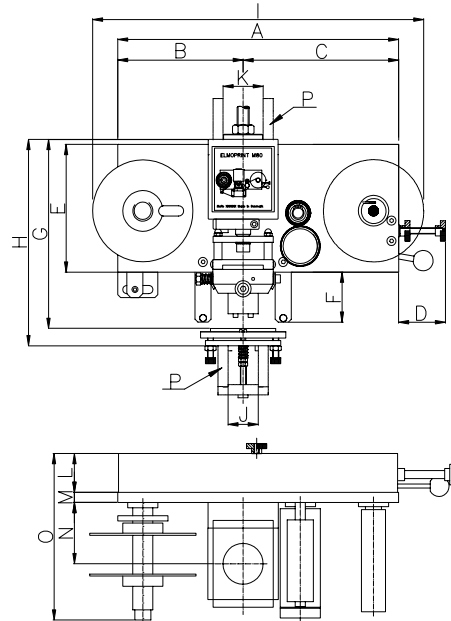
Technical specifications.

Specifications	M-40	M-80	M-100	M-150	M-200
Max. Print area (mm)	40x20	80x50	100x100	150x100	200x200
Max. speed (per min.)	400	300	100	75	60
Pressure (N at 6 bar)	500	1700	3000	7500	12000
Hotfoil (m per roll)	305	305	305	305	1500
Dwell time	adjustable 0,02 - 2,4 sec.				
Printing temperature	proportional regulating thermostat. Adjustable 80-240°C (176-464°F)				
Air consumption (l per print)	0,1	0,3	0,8	3,2	4,0
Air pressure (bar)	5-6	5-6	5-10	5-10	5-10
Power connection	standard 230VAC + J (115VAC optional)				
Power consumption (W)	150	250	400	500	1600
Lubrication	in order to maintain the effortless functioning of the machines cylinders and valves, filter and reduction valve should be mounted at the air supply. All bearings are self-lubricating oil-bronze and teflon bearings				

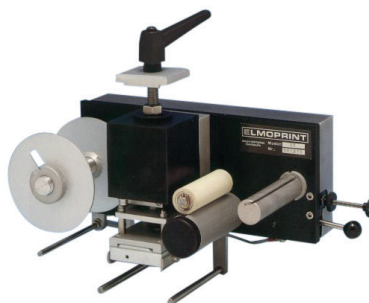
M-40, M-80, M-100, M-150 & M-200.

Technical specifications.

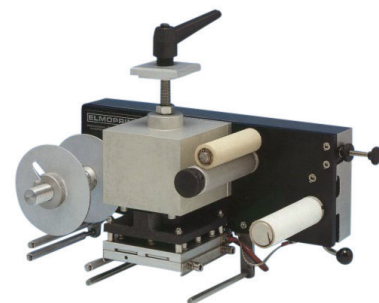
Dim (mm)	M-40	M-80	M-100	M-150	M-200
A	200	280	330	390	490
B	102,5	125	155	180	230
C	97,5	155	175	210	260
D	50	55	41	48	60
E	100	125	125	125	200
F	43	51	52,5	54	47
G	148	185	185	185	255
H	165	202	202	272	300
I	255	330	380	440	610
J	30	30	30	30	80
K	20	40	40	40	80
L	43	38	43	43	79
M	10	10	10	10	15
N	45	60	59,5	94,5	110
O	148	163	188	263	336
P	25x10	40x10	40x10	60x10	100x20



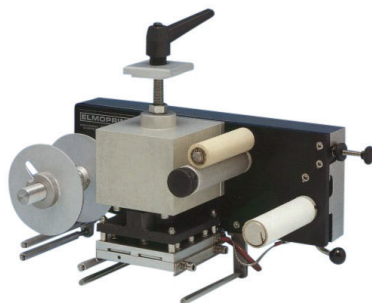
M-40



M-80



M-100



M-150



M-200