



# DPM IV.

Limitless range of variants.

---

Developing the DPM IIIxi into DPM IV has further developed one of the most flexible and precision thermal transfer direct printers towards perfection. The dimensions of the enhanced, more stable print mechanical equipment are identical with those of its predecessor. As such, no difficulties arise in replacing your printer with the newly developed, faster version.

The new DPM IV impresses with its significantly more up-to-date design. The chief innovations centre around the 7" touch display allowing for intuitive manual operation of the device and a reduction of the cable connectors to just one. An even higher number of cycles comes from the increased print and back speed. Together with transfer ribbon saving, DPM IV is indispensable for installation in production and packaging systems.



Direct. Precise. Fast.

---

- 7" touch-screen colour display
- Over 20 variants available
- Only one cable connection
- Cable outlet, top, rear, side
- Transfer ribbon saving
- Print speed up to 500 mm/s

- Dimensions compatible with DPM IIIxi
- Display of remaining transfer ribbon for quick ribbon changes
- All common interfaces for fast data exchange
- Intuitive graphical user interface with icon buttons
- WYSIWYG display with preview for verifying the layout

# DPM IV.

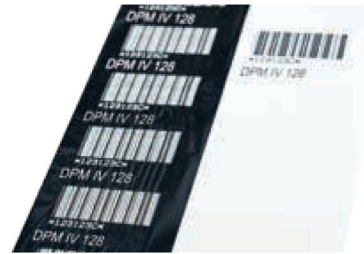
Direct printing for all and sundry.

---



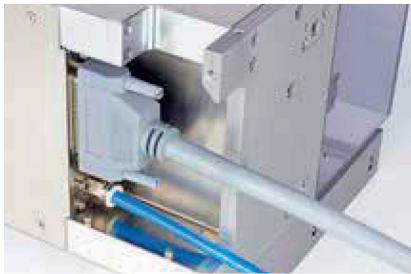
## Control unit

The control unit of the DPM IV features an intuitive user interface with icon buttons and a 7" colour touch-screen display with preview for verifying the layout. Thanks to the new mounting frame the control unit can be fixed practically anywhere.



## Minimum operating costs

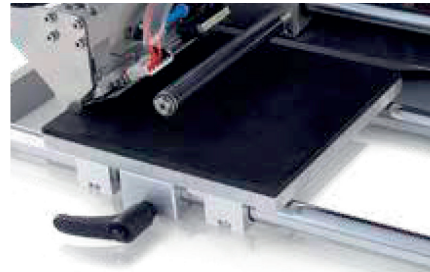
DPM IV delivers high quality marking on flexible packaging at low operating costs. Due to its great flexibility, the optimum use of transfer ribbon and the extraordinary length of the transfer ribbon, standstill times are reduced to a minimum, e.g. when replacing the transfer ribbon. The result is a lower consumption of materials - and thus lower costs.



## Ingenious casing system

The logical, well considered casing design offers a multitude of cable guiding options.

Where space is extremely tight cable can be run up, to the rear and even to the side. The electrical and pneumatic connections are arranged easily accessible and a clear wiring is ensured.



## Integration into packaging systems

No-trouble integration into packaging systems is ensured from our multi-faceted, precision-ground counter-pressure plates, an optional brake with non-horizontal mounting and the new mounting frames or flange solutions for the control electronic system.

# DPM IV.

## Technical specifications.

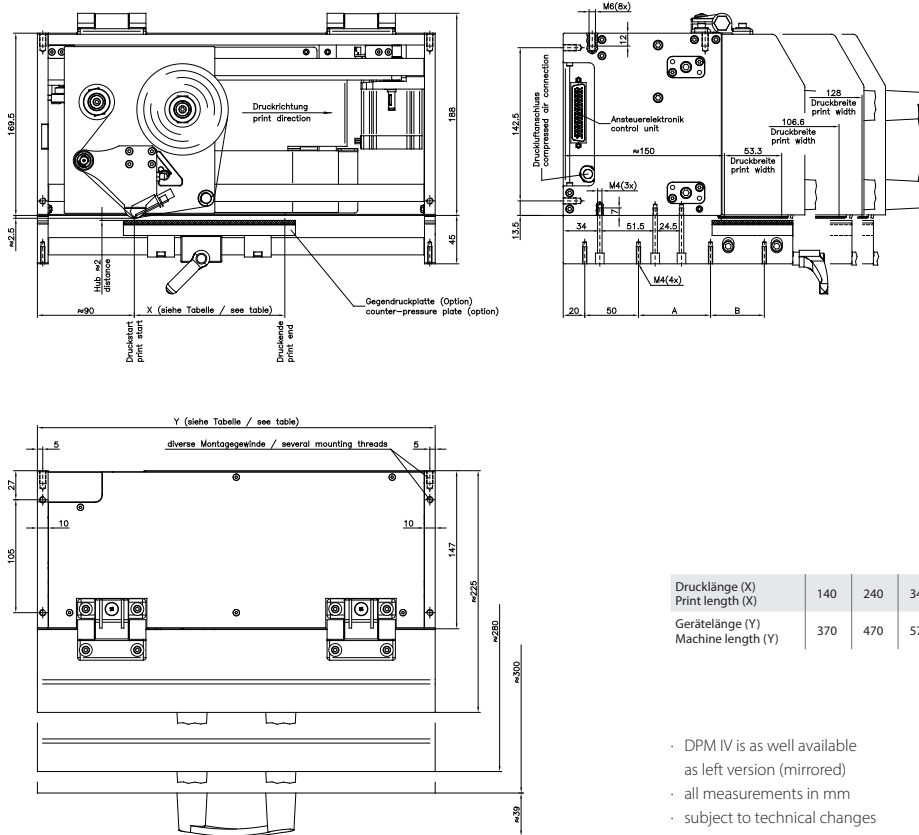
	DPM IV 53	DPV IV 107	DPM IV 128
<b>Printing</b>			
Print width	max 53.3 mm	max 106.6 mm	max 128 mm
Print length	140 mm, 240 mm, 340 mm, 447 mm, 570 mm, 630 mm		
Print speed	50 ... 500 mm/s		
Back speed	50 ... 700 mm/s		
Resolution	300 dpi	300 dpi	300 dpi
Printhead	corner Type	corner Type	corner Type
<b>Dimensions (width x height x depth)</b>			
Print mechanics (with cover) <sup>1</sup>	(print length + 230 mm) x 188 mm x 265 mm	(print length + 230 mm) x 188 mm x 320 mm	(print length + 230 mm) x 188 mm x 340 mm
Control unit	314 mm x 230 mm x 80 mm (without connection lines)		
<b>Weight</b>			
Print mechanics	approx 9 ... 16 kg (depending on print length/print width)		
Control unit	approx 5.5 kg (without connection lines)		
Connection cable	approx 0.85 kg (print mechanics - control unit)		
<b>Acoustic Emission (distance 1 m)</b>			
Average sound power level	75 dB(A)	75 dB(A)	75 dB(A)
<b>Transfer Ribbons</b>			
Ink	outside/inside	outside/inside	outside/inside
Roll diameter	max 85 mm	max 85 mm	max 85 mm
Core diameter	25.4 mm / 1"	25.4 mm / 1"	25.4 mm / 1"
Length	max 450 m	max 450 m	max 450 m
Width	max 55 mm	max 110 mm	max 130 mm
<b>Interface</b>			
Serial	RS-232C (max 115,200 Baud)		
USB	2.0 High Speed Slave		
Ethernet	10/100 Base T, LPD, RawIP-Printing, DHCP, HTTP, FTP		
2 x USB Master	connection for external USB keyboard and memory stick		
<b>Connection Values</b>			
Pneumatic connection	6 bar dry and free of oil		
Air consumption typical* * hub 1,5 mm 150 cycle/min 6 bar operating pressure	150 ml/min	300 ml/min	300 ml/min
Nominal voltage	110 ... 230 V AC / 50 ... 60 Hz		
Nominal current	230 V AC / 1.5 A ... 110 V AC / 3 A		
Fuse values	2x T4A 250 V		
<b>Operating Conditions</b>			
Temperature	5 ... 40 °C		
Relative humidity	max 80 % (non-condensing)		
<b>Fonts</b>			
Font types	6 bitmap fonts   8 vector fonts/TrueType fonts   6 proportional fonts   more fonts on demand		
Character sets	windows 1250 bis1257, DOS 437, 850, 852, 857   all West and East European, Latin, Cyrillic, Greek and Arabic characters are supported   more character sets on demand		
Bitmap fonts	size in width and height 0.8 - 5.6   zoom 2 - 9   orientation 0°, 90°, 180°, 270°		
Vector fonts/TrueType fonts	6 BITSTREAM® fonts   size in width and height 1 - 99 mm variable zoom   orientation 360° in steps of 90°		
Font attributes	dependent on font type - bold, italic, inverse, vertical		
Character spacing	variable		
<b>Bar Codes</b>			
1D bar codes	CODABAR, Code 128, Code 2/5 interleaved, Code 39, Code 39 extended, Code 93, EAN 13, EAN 8, EAN ADD ON, GS1-128, Identcode, ITF 14, Leitcode, Pharmacode, PZN 7 Code, PZN 8 Code, UPC-A, UPC-E		
2D bar codes	aztec Code, CODABLOCK F, DataMatrix, GS1 DataMatrix, MAXICODE, PDF 417, QR Code		
GS1 bar codes	GS1 DataBar Expanded, GS1 DataBar Limited, GS1 DataBar Omnidirectional, GS1 DataBar Stacked, GS1 DataBar Stacked Omnidirectional, GS1 DataBar Truncated		
	all bar codes are variable in height, module width and ratio   orientation 0°, 90°, 180°, 270° check digit and human readable line optional.		

<sup>1</sup> = identical with DPM III xi

# DPM IV.

## Technical specifications.

### Print mechanics, right version



### Control unit

